



Argonaut

The Clevertronics range of Argonaut LED Weatherproof luminaires have been specially designed for use in **underground car parks, stairwells, fire stairs, corridors and back of house areas** to provide outstanding energy and maintenance savings.



Reduction in
Maintenance Costs



Reduction in
Energy Costs

Features & Benefits:

Robust & Weatherproof	IP66 Ingression Protection and IK09 Impact Protection Rating
Microwave sensors	All products available with Microwave sensors with several models offering adjustable standby light
Lamps	Long life LED 50,000hrs [L70, B50 Ta 40°C] Ra>80
Light output	2000lm to 4000lm options.
Efficacy	Up to 108lm/W at full light output
Range Options	Battens - Available in LP Premium and L10 Optimum Square - Available in LP Premium
Testing	Available with Zoneworks XT, Clevertest or DLI
Applications	Ideal for car parks, stairwells, corridors and back of office areas

All Argonaut battens are fitted with long life LEDs (50,000hrs), IP66 ingress protection rating and a IK08 impact protection.

The Argonaut battens are available in the LP Premium and L10 Optimum ranges will provide up to 3 times the battery service life compared to NiCd or NiMH alternatives. Battery life is extended through the use of Lithium Iron Phosphate battery technology and also the use of an emergency pod design which keeps the battery away from heat sources and therefore extends the battery life.

The Argonaut square emergency fitting is available in LP Premium and is fitted with an integral battery.

With the various sizes, shapes and light output options in the Argonaut range you will easily find a solution to improve your car park and stairwell lighting requirements.



TECHNICAL SPECIFICATIONS:

	ARGONAUT BATTEN 2FT	ARGONAUT BATTEN 4FT	ARGONAUT SQUARE
Construction	Polycarbonate Base and Diffuser with Captive Stainless Steel Clips		Die Cast Aluminium Body with Polycarbonate Diffuser
Mounting	Ceiling / Wall mounted		
Lamp(s)	4,000K, 50,000h Product Life [L70,B50 Ta 40°C] Ra>80		
Operating Voltage	240V AC; 50Hz		
Power Factor	0.95		
Ingression Protection (IP) Rating	IP66		TBC
Operating Temperature	0°C to 40°C		
Impact Protection (IK) Rating (Diffuser)	IK09		TBC

NON-EMERGENCY

Microwave Sensor with Hi/Lo Lighting Function (Optional)	-	✓	✓	✓
Total Power Consumption	22W	32W	43W	23W
Standby Power Consumption ¹	1.8W	3.4W	5.6W	6.8W
Nominal Output	2000lm	3000lm	4000lm	2500lm

¹Standby at 10% Light Output (MS.HL version) for battens and 30% for Argonaut Square

EMERGENCY

LP Premium	✓	✓	✓	✓
L10 Optimum	✓	✓	✓	-
Operating Mode	Sustained / Maintained / Non-Maintained			Maintained
Charging Method	Intelligent Current Limited Constant Voltage			
AS2293 Classification	C ₀ =D63 ; C ₉₀ =D50			C ₀ =D50 ; C ₉₀ =D50
Testing Options	Manual Clevertest, Self Test DLI Compatible Zoneworks Computerised Testing			

PART NUMBERS

240V	FWB2LED-P	FWB4LED-P-LO	FWB4LED-P	FWSQLED-MS-HL
LP Premium	CWB2LEDS-P	CWB4LEDS-P-LO	CWB4LEDS-P	CWSQLED-MS-HL
L10 Optimum	LWB2LEDS-P	LWB4LEDS-P-LO	LWB4LEDS-P	-

Product Options:

LWB4LEDS-P-XX-XX-XX-XX

Output Options

- N/A Standard Output
- LO Low Power Output

Motion Sensor Options

- N/A No Sensor
- MS Microwave Sensor (2ft only)
- MS-HL Microwave Sensor, Hi / Lo

Testing Options

- N/A Manual Testing
- CT Clevertest, Self-test
- DLI DLI Compatible
- ZW Zoneworks Computerised Testing

Range Options:

Proven Premium Lithium Project Performance



- Australia No.1 selling Emergency Lighting Range
- Over 50% maintenance saving vs Ni-Cd
- Full comprehensive range
- Self-test and monitored testing options

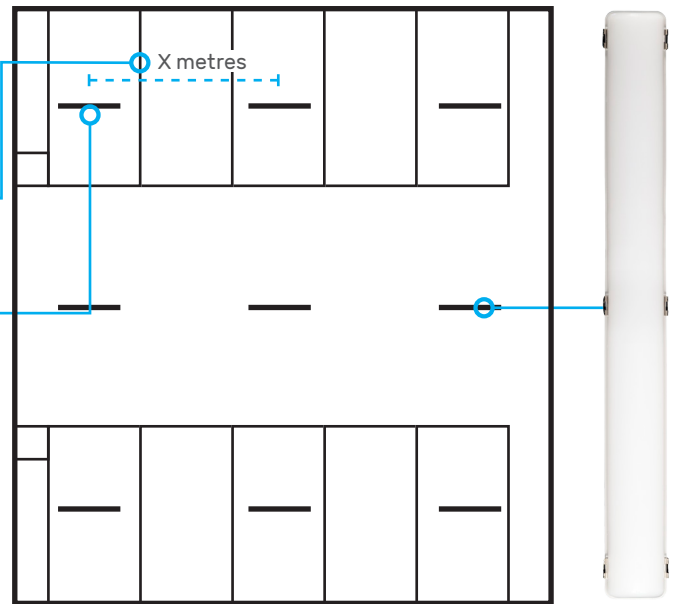
Nothing else competes with Nanophosphate



- Lowest total ownership cost on the market
- 40% Longer battery life vs any other lithium products
- 50% Maintenance savings vs any other lithium products
- Full comprehensive range
- Self-test and monitored testing options

CAR PARK:

Considerations	Argonaut Solution
Achieving the lux requirement at the desired location within the car park	Argonaut range of products > have various shapes, sizes and light output
Achieving optimal spacing of emergency luminaires based on the classification	Argonaut products are D63 & D50 Emergency classification luminaires resulting in wide spacings
Start up performance of the luminaires in cold temperatures to achieve light output required	Argonaut LED strips & arrays > start up to maximum output instantaneously and are not affected by low temp conditions



AS/NZS1680.2: Recommendation for Circulation Space and Other General Areas.

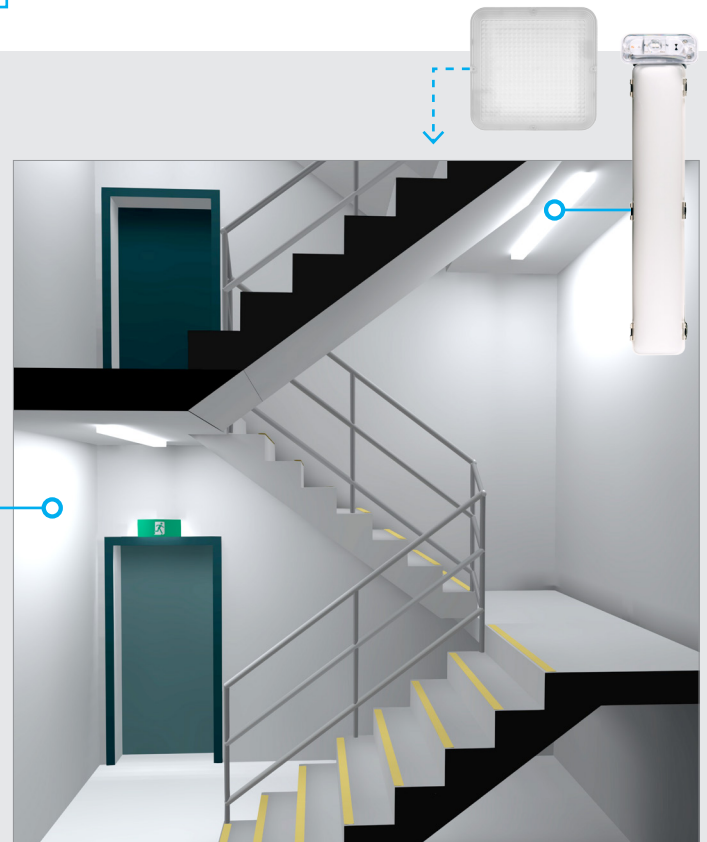
Type of interior or activity	Maintained illuminance (lx)
Entrances / Driveways:	
(a) During daytime	
- first 15m	800
- next 4m	160
(b) During night time	160
Normal parking spaces	40

Flexibility to choose fitting configuration and options to meet requirements:

- Length
- Shape
- Lumen output
- Battery type
- Testing methods
- Occupancy sensor

STAIRWELLS:

Considerations	Argonaut Solution
Ensure luminaires can achieve 80 lux average on the stairwell tread and landings	Argonaut range of products > have various sizes and light output
Wall or ceiling mounted fitting requirements	Argonaut range can be wall or ceiling mounted
Height, width and length of chamber will affect the selected luminaire shape and lumen output requirements	Argonaut Range of products > have various shapes, sizes and light output



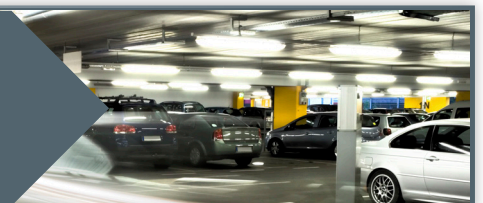
AS/NZS1680.2: Recommendation for Circulation Space and Other General Areas.

Type of interior or activity	Maintained illuminance (lx)
Stairwell (internal)	80

Argonaut PRO

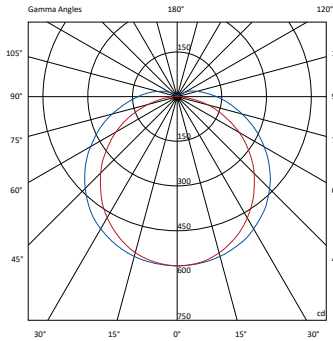
Check out the **Argonaut PRO** range of products to improve your lighting solution even further

The **Argonaut PRO** range achieves superior light uniformity and vertical illumination levels compared to other products on the market



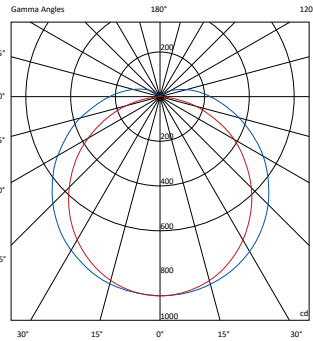
Argonaut Batten 600mm 2000lm

FWB2LED-P



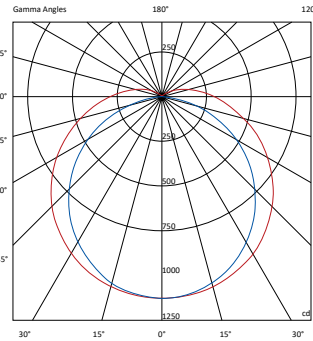
Argonaut Batten 1200mm 3000lm

FWB4LED-P-LO



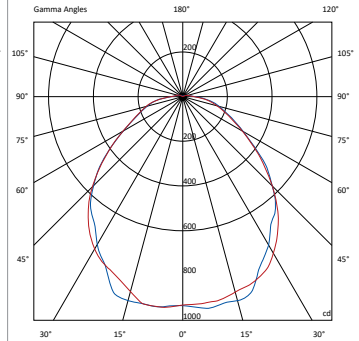
Argonaut Batten 1200mm 4000lm

FWB4LED-P



Argonaut Square 315mm 2500lm

FWSQLED-MS-HL



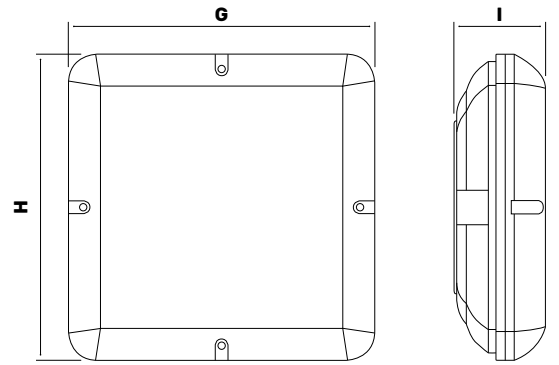
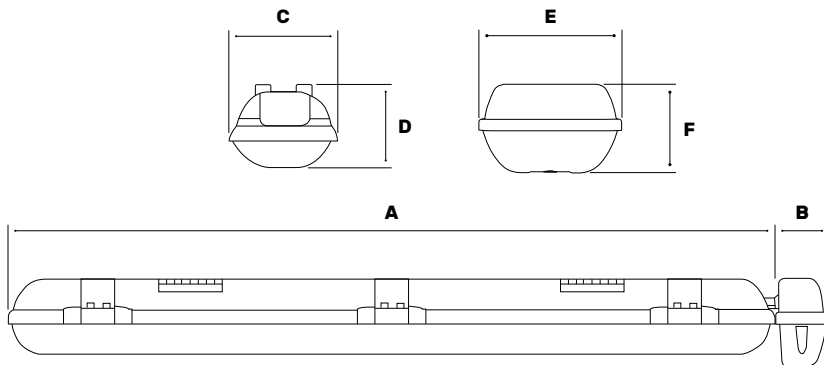
Battens:

	A	B*	C	D	E*	F*
2ft	600mm	60mm	110mm	108mm	160mm	100mm
4ft	1160mm	60mm	110mm	108mm	160mm	100mm

*Pod on Emergency Battens Only

Square:

	G	H	I
	315mm	315mm	100mm



Victoria:

195 Chesterville Road
Moorabbin VIC 3189
Phone: +61 3 9559 2700
Fax: +61 3 9559 2799

New South Wales:

9 Distribution Place
Seven Hills NSW 2147
Phone: +61 2 8805 6400
Fax: +61 2 8805 6444

Queensland:

Unit 2 / 8-12 Monte-Khoury Drive
Loganholme QLD 4129
Phone: +61 7 3442 9700
Fax: +61 7 3442 9777

South Australia:

Unit 2 / 19 Main Terrace,
Richmond, SA 5033
Phone: +61 8 8301 8800
Fax: +61 8 8351 8286

Western Australia:

Unit 1 / 10 Pavers Circle
Malaga, WA 6090
Phone: +61 8 9248 3720
Fax: +61 8 9248 3725

New Zealand:

Unit 22 / 761 Great South Road
Penrose, Auckland
Phone: +64 800 548 448