

IP65 BUNKALITE



IP65 SURFACE MOUNTED - White opal polycarbonate diffuser

INDUSTRIAL APPLICATIONS - Powder coated die-cast aluminium housing and frame

AVAILABLE IN COLOURS - Silver, White, Black and Grey

TESTING OPTIONS - Clevertest™, DALI compatible and Zoneworks® computerised testing options available in our Premium range.

Clevertronics Bunkalite provides a decorative solution in emergency lighting, suitable for commercial and industrial use.

Bunkalites use an industrial duty powder coated steel control unit designed to be surface mounted. Available in weatherproof for areas where moisture and/or dust is prevalent. They are a perfect solution for covered outdoor areas where it is not possible to mount conventional emergency lighting, e.g. outdoor corridors such as schools and apartment blocks.

Bunkalites are available with a 26W compact fluorescent lamp. All models use high temperature Nickel Cadmium batteries.

SAVE TIME AND MONEY - UPGRADE TO CLEVERTEST™

LOWER INSTALLATION COSTS
LOWER TESTING COSTS

Emergency lights that perform their six monthly discharge tests by themselves, and indicate their status via a bi-colour flashing LED. No need for a manual test-switch.

EMERGENCY LIGHTS THAT TEST THEMSELVES!

clevertest™



IP65 BUNKALITE

SEGMENT - LAMP TYPE	PART NUMBER & TESTING OPTIONS - STANDARD 240V	
	Electronic Ballast	A1 DALI Ballast
240V - BLACK	FBL126-BLK	FBL126-BLK-DB
240V - WHITE	FBL126-WHT	FBL126-WHT-DB
240V - SILVER	FBL126-SLV	FBL126-SLV-DB
240V - GREY	FBL126-GRY	FBL126-GRY-DB

SEGMENT - LAMP TYPE	PART NUMBER & TESTING OPTIONS - MAINTAINED EMERGENCY				
	Single-point	Clevertest™	DATA	DALI EM	Zoneworks®
PREMIUM - BLACK	PBL126M-BLK	DBL126M-BLK	ZBL126M-DATA-BLK	ZBL126M-DALI-BLK	ZBL126M-BLK
PREMIUM - WHITE	PBL126M-WHT	DBL126M-WHT	ZBL126M-DATA-WHT	ZBL126M-DALI-WHT	ZBL126M-WHT
PREMIUM - SILVER	PBL126M-SLV	DBL126M-SLV	ZBL126M-DATA-SLV	ZBL126M-DALI-SLV	ZBL126M-SLV
PREMIUM - GREY	PBL126M-GRY	DBL126M-GRY	ZBL126M-DATA-GRY	ZBL126M-DALI-GRY	ZBL126M-GRY

PREMIUM

Surface mount emergency light, 26W fluorescent lamp, 2 year back to base warranty.

TESTING OPTIONS

clevertest	Exit and Emergency luminaires automatically test every six months.
DALI EM	Smooth integration and networking with DALI Lighting Control Systems.
ZONENWORKS	A real-time, automatic monitoring and testing facility for emergency luminaires.

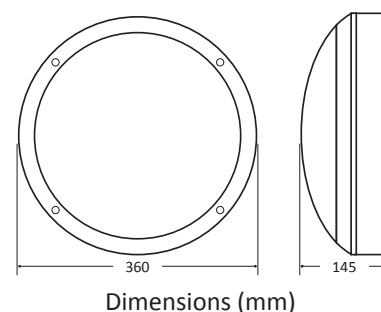
SPECIFICATIONS

	Warranty	Power Consumption	C0	C90
FBL126	1 YEAR	26W	D10	D10
PBL126M	2 YEARS	29W	D10	D10

SPACING TABLE & MOUNTING HEIGHTS

Classification	2.1m	2.4m	2.7m	3m	3.3m	3.6m	4m	5m	6m	7m	8m
D10	10.2	10.6	10.9	11.1	11.3	11.4	11.5	11.6	11.2	10.3	8.9

Based on minimum light level of 0.2 lux



SPARE PARTS

	Battery	Lamp	Clevertest™ Node	Zoneworks® Node
PBL126M	1510100	3110230	8001730	8001450

Version: October 2014-4

Please check our website for your closest Clevertronics office and local representative. Due to changes in industry standards and Clevertronics policy of product improvement, specification details are subject to change without notice.

www.clevertronics.com.au