

LOW TEMPERATURE EMERGENCY



Emergency Lighting for Low Temperature Applications

The Low Temperature Emergency lighting range is designed for cool room and freezer applications where the temperature can drop to -40°C .

The range comprises of an integrated option that is rated for -25°C and a remote control gear option that will handle -40°C .

Both options are constructed with polycarbonate enclosures and are rated IP66/67.

Applications

- | | |
|---|---|
|  Cool Rooms |  Food Processing |
|  Freezers |  Alpine Regions |



Features and Benefits

- AS/NZS 2293.3 compliant
- LED Lamps
- IP66/67 Weatherproof
- IK08 Impact rating
- -25°C and -40°C options
- Clevertest Plus System compatible



LOW TEMPERATURE EMERGENCY

ORDERING INFORMATION		PREMIUM	LP	L10
PART NO.	Standard	PWPLIFE-PRO-FZR	CLIFE-PRO-WP-IPREM	LLIFE-PRO-WP-IPREM
	Clevertest Plus System Compatible	No	Yes	Yes
	DALI	ZWPLIFE-PRO-DALI-FZR	CLIFE-PRO-WP-DALI	LLIFE-PRO-WP-DALI
	Zoneworks® XT Hive	ZWPLIFE-PRO-FZR	CLIFE-PRO-WP-HV	LLIFE-PRO-WP-HV
Carton Quantity		1		
Weight - single (carton)		3.5kg	1.4kg	
Dimensions (L x W x H) - Control Pack		-		
Dimensions (L x W x H) - Head		380mm x 130mm x 190mm	122mm x 120mm x 75mm	

POWER, LAMPS AND BATTERY	PREMIUM	LP	L10
Power Consumption (Standby / Max)	2.7W / 7.3W	0.4W / 4.7W	0.4W / 4.7W
Lamp(s)	2 x LED		
Battery	Nickel Cadmium	Lithium Iron Phosphate	Lithium Nanophosphate®
Voltage / Capacity (mAh)	6.0V / 5000mAh	3.2V / 6400mAh	3.3V / 5000mAh
Charging Method	Dual Rate Charge	Intelligent Current Limited Constant Voltage	

TECHNICAL SPECIFICATIONS	PREMIUM	LP	L10
Operating Mode	Non-Maintained		
Voltage (V) (Frequency (Hz))	220-240V (50Hz)		
Operating Temperature	-25°C to 0°C	1°C to 40°C (Control Pack) -40°C to 40°C (Lamp Head)	
Ingress Protection Rating (IP)	IP66/67		
Impact Rating (IK)	IK08		

SPARE PARTS	PREMIUM	LP	L10
Battery	1510115	1550230	1530230
DALI Node	8003060	8003060	8003060
Zoneworks® XT Hive Node	8003190	8003190	8003190

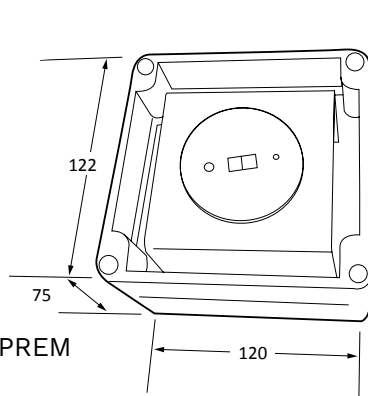
CLASSIFICATION	PREMIUM	LP	L10
C0	D32	D40	D40
C90	D32	D40	D40

SPACING TABLE AND MOUNTING HEIGHTS – AS/NZS 2293.1:2018 (MINIMUM LIGHT LEVEL OF 0.2 LUX)

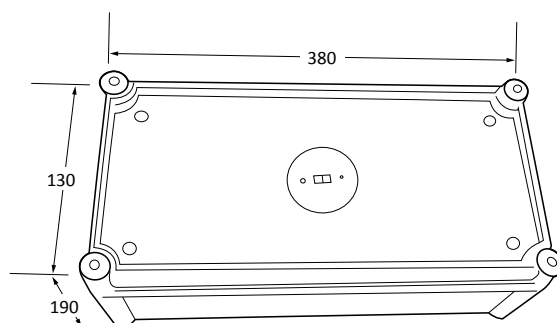
Classification	2.1m	2.4m	2.7m	3.0m	3.3m	3.6m	4.0m	4.5m	5.0m	6.0m	7.0m	8.0m	9.0m	10.0m
D32	11.5	13.2	14.8	16.5	17.6	18	18.5	19	19.5	20.1	20.5	20.7	20.6	20.3
D40	11.5	13.2	14.8	16.5	18.1	19.5	20.1	20.7	21.2	22.1	22.6	23	23.1	23

For 1 lux and AS/NZS 2293.1:2005 spacing tables please visit: <https://clevertronics.com.au/spacing-tables/>

*Warranty information located at: <https://clevertronics.com.au/warranty-statement/>



CLIFE-PRO-WP-IPREM



PWPLIFE-PRO-FZR

Dimensions (mm)

clevertronics.co.nz
clevertronics.com.au

195 Chesterville Road, Moorabbin VIC 3189
P +61 3 9559 2700 F +61 3 9559 2799 E info@clevertronics.com.au

Clevertronics is committed to continuously improving its products.
All features and specifications are subject to change without prior notice.
CT-BRO-ANZ-LOWTEMP-EM-001

